

Forward solver for deep earth exploration and induction logging using custom built Edge-Element FEM technique

Mingyang Lu¹, Wuliang Yin¹, Shijie Sun², Jiangtao Sun², Zhang Cao², Lijun Xu²

¹School of Electrical and Electronic Engineering, The University of Manchester, Manchester M13 9PL, UK

²Key Laboratory of Precision Opto-Mechatronics Technology of Ministry of Education, School of Instrument Science and Opto-Electronics Engineering, Beihang University, Beijing, lijunxu@buaa.edu.cn

Electromagnetic inspection and imaging methods can be used in deep earth exploration and induction logging. Due to the complexity of the surrounding media, the forward problem is challenging.

In this study, an EM solver using finite edge-element methods was developed for the simulation of the eddy current distribution within deep earth environments. The custom built FEM solver in this study uses a weakly-coupling assumption and was shown to be more efficient than conventional solvers, in particular for a sensor scanning mode.

The solver can also compute material equivalent conductivity, which provides an indication of material property on the surrounding media.

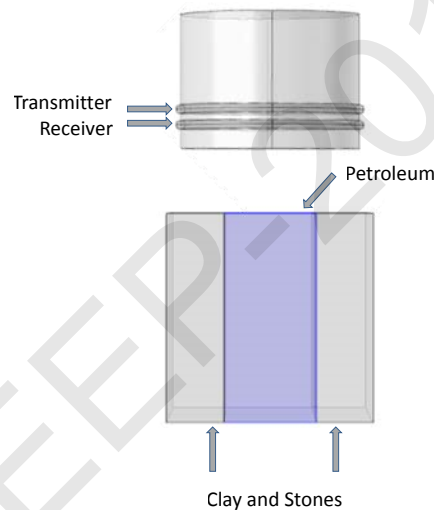


Figure 1. Sensor setup and location with respect to detected media

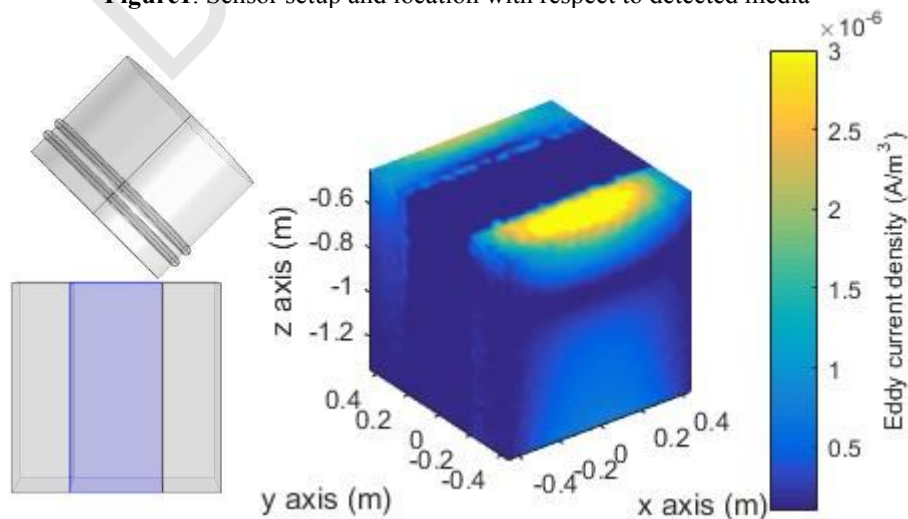


Figure 2. Eddy current distribution when sensor is rotated at -45°

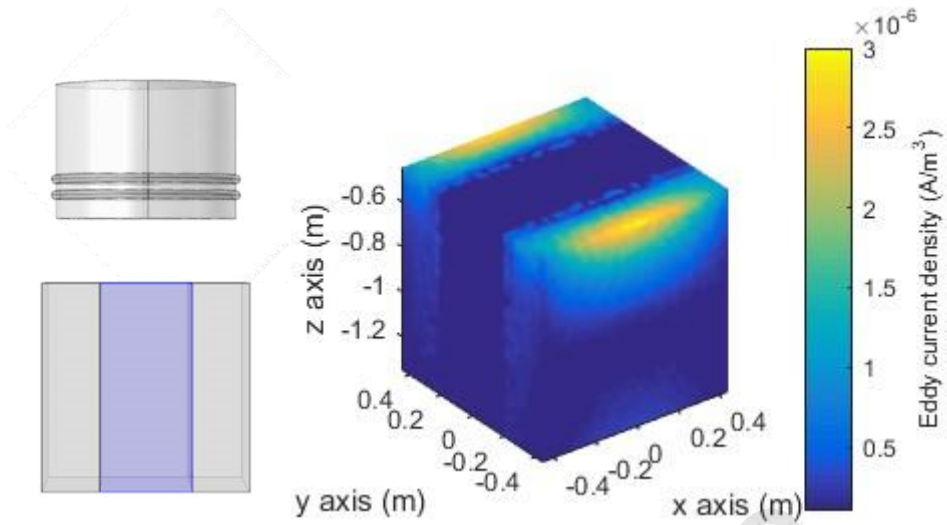


Figure 3. Eddy current distribution when sensor is rotated at 0°

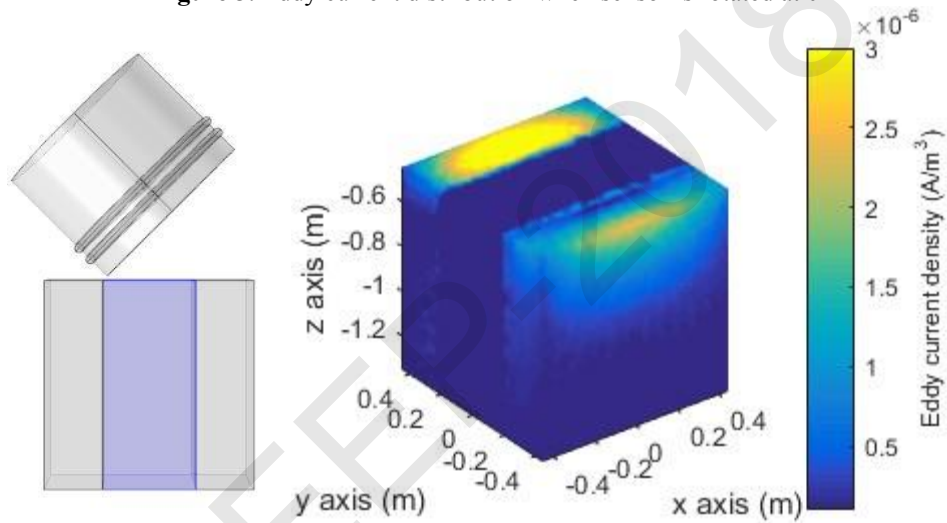


Figure 4. Eddy current distribution when sensor is rotated at 45°

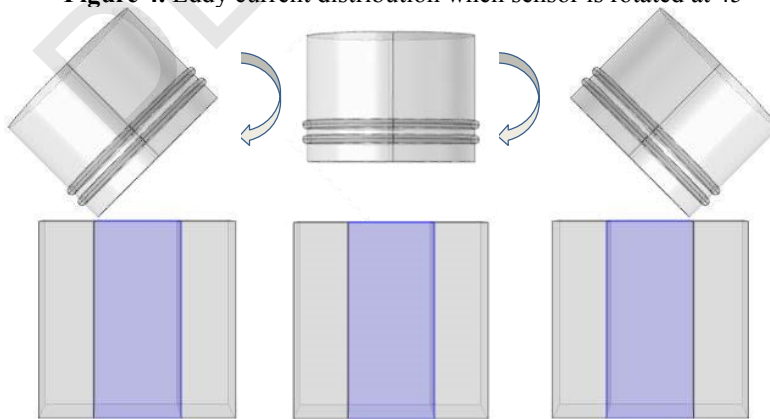


Figure 5. Sensor rotation process (from -45° to 45°)

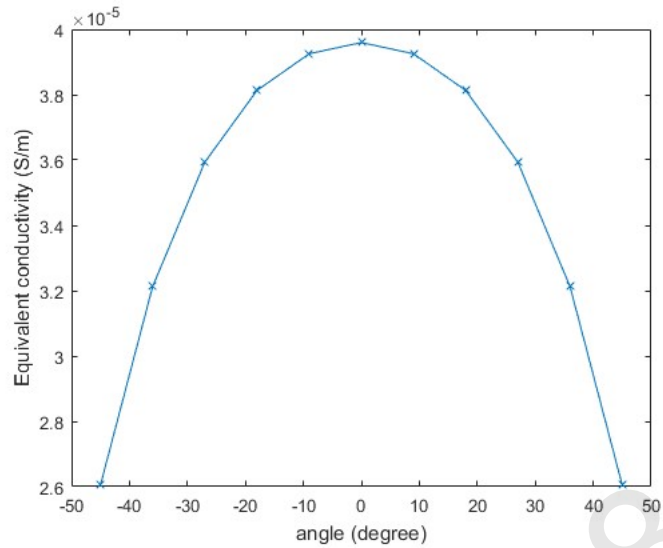


Figure 6. Computed equivalent conductivities on the sensor rotation samples (from -45° to 45°)

References

1. Robert Dwight Grisso, Marcus M. Alley, David Lee Holshouser, and Wade Everett Thomason. "Precision Farming Tools. Soil Electrical Conductivity." (2005).
2. Andreas Kemna, Jan Vanderborght, Bernd Kulesa, and Harry Vereecken. "Imaging and characterisation of subsurface solute transport using electrical resistivity tomography (ERT) and equivalent transport models." *Journal of Hydrology* 267, no. 3-4 (2002): 125-146.
3. Mingyang Lu, Anthony Peyton, and Wuliang Yin. "Acceleration of Frequency Sweeping in Eddy-Current Computation." *IEEE Transactions on Magnetics* 53, no. 7 (2017): 1-8.
4. M. H. Loke, J. E. Chambers, D. F. Rucker, O. Kuras, and P. B. Wilkinson. "Recent developments in the direct-current geoelectrical imaging method." *Journal of Applied Geophysics* 95 (2013): 135-156.
5. Weibin Zhou, Mingyang Lu, Ziqi Chen, Lei Zhou, Liyuan Yin, Qian Zhao, Anthony Peyton, Yu Li, and Wuliang Yin. "Three-Dimensional Electromagnetic Mixing Models for Dual-Phase Steel Microstructures." *Applied Sciences* 8, no. 4 (2018): 529.
6. Jorge R. Salas Avila, Kin Yau How, Mingyang Lu, and Wuliang Yin. "A Novel Dual Modality Sensor With Sensitivities to Permittivity, Conductivity, and Permeability." *IEEE Sens. J* 18 (2018): 356-362.